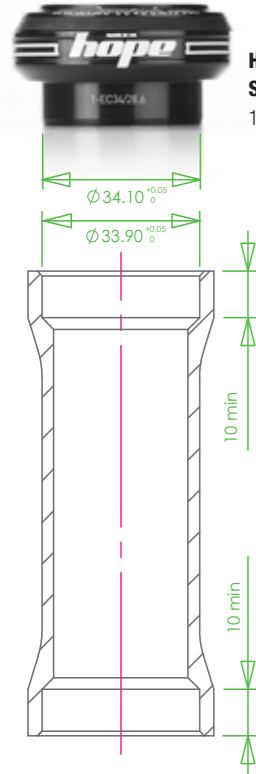


COMPATIBLE HEAD TUBE TYPES



Traditional

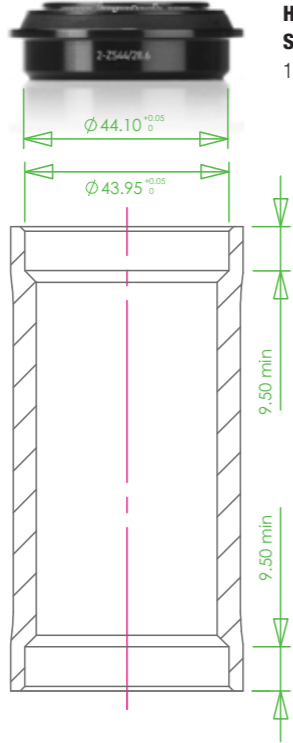


HOPE : 1
S.H.I.S. : EC34/28.6
 1 1/8" Traditional

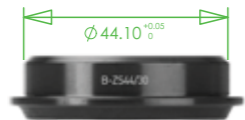


HOPE : A
S.H.I.S. : EC34/30
 1 1/8" Traditional

Integral



HOPE : 2
S.H.I.S. : ZS44/28.6
 1 1/8" Integral

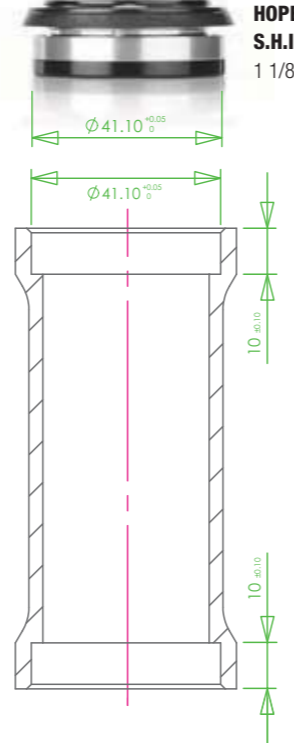


HOPE : B
S.H.I.S. : ZS44/30
 1 1/8" Integral



HOPE : H
S.H.I.S. : EC44/40
 1.5" Traditional

Integrated

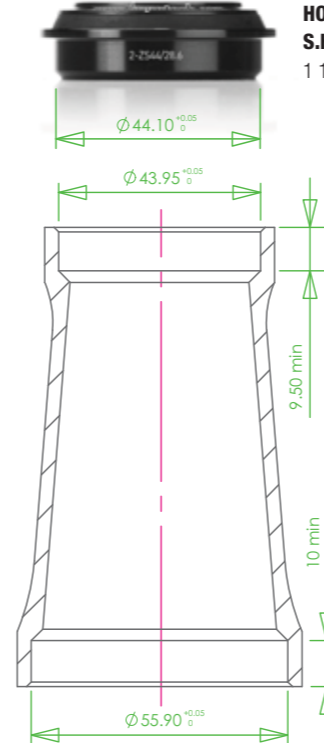


HOPE : 3
S.H.I.S. : IS41/28.6
 1 1/8" Integrated

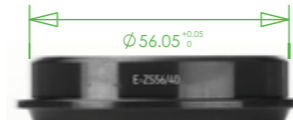


HOPE : C
S.H.I.S. : IS41/30
 1 1/8" Integrated

Tapered/E2

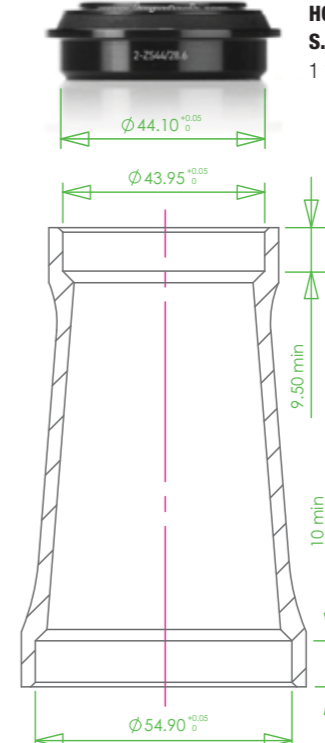


HOPE : 2
S.H.I.S. : ZS44/28.6
 1 1/8" Integral

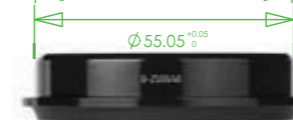


HOPE : E
S.H.I.S. : ZS56/40
 1.5" Integral

Tapered Scott / Lapierre



HOPE : 2
S.H.I.S. : ZS44/28.6
 1 1/8" Integral

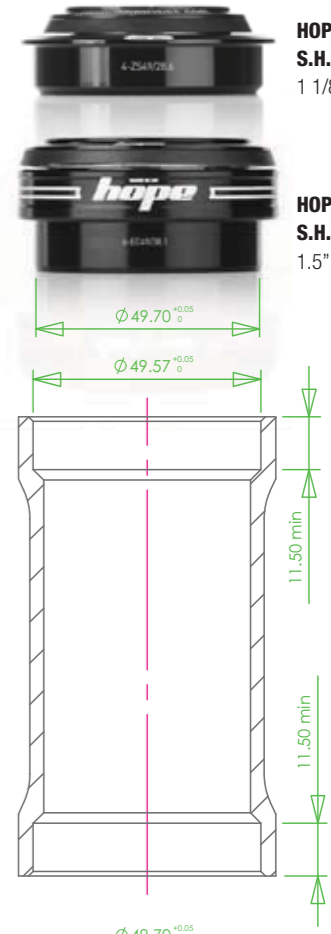


HOPE : G
S.H.I.S. : ZS55/40
 1.5" Integral



HOPE : HS136
 1 1/8" to 1.5" lower steerer crown converter

1.5"



HOPE : 4
S.H.I.S. : ZS49/28.6
 1 1/8" Integral

HOPE : 6
S.H.I.S. : EC49/38.1
 1.5" Traditional



HOPE : D
S.H.I.S. : ZS49/30
 1 1/8" Integral



HOPE : F
S.H.I.S. : EC49/40
 1.5" Traditional